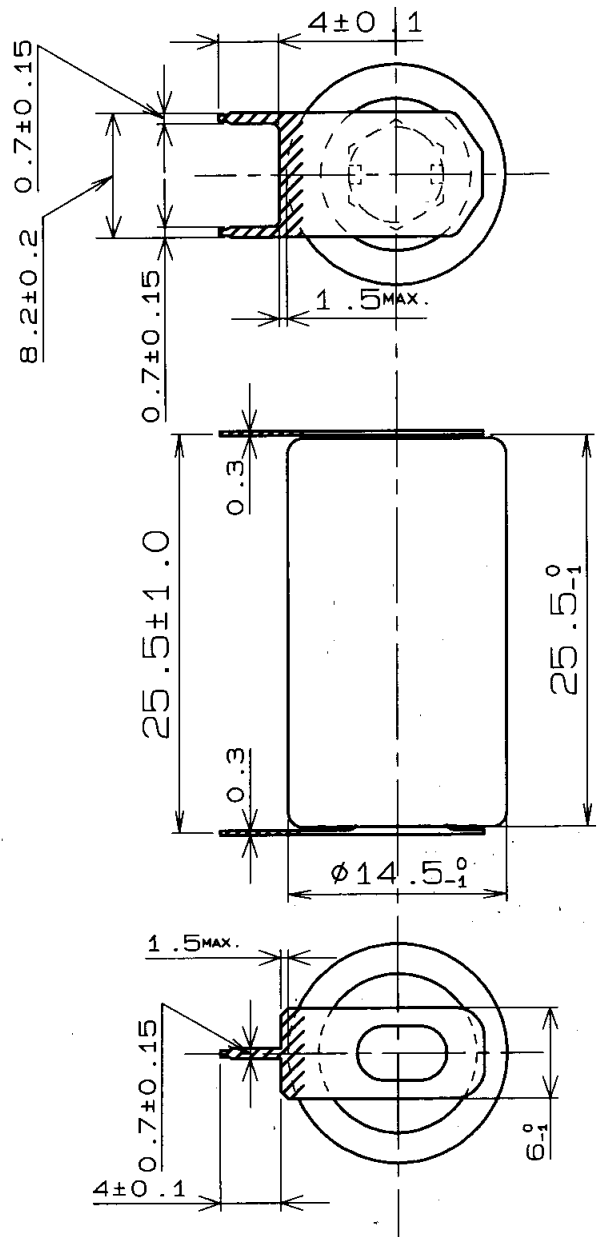
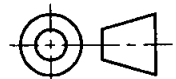


Symbol	Date	Revision	Signed	Checked
△				

Draft



Note: *1 Material of tabs:
Stainless steel+Nickel plating+partial Tin plating.



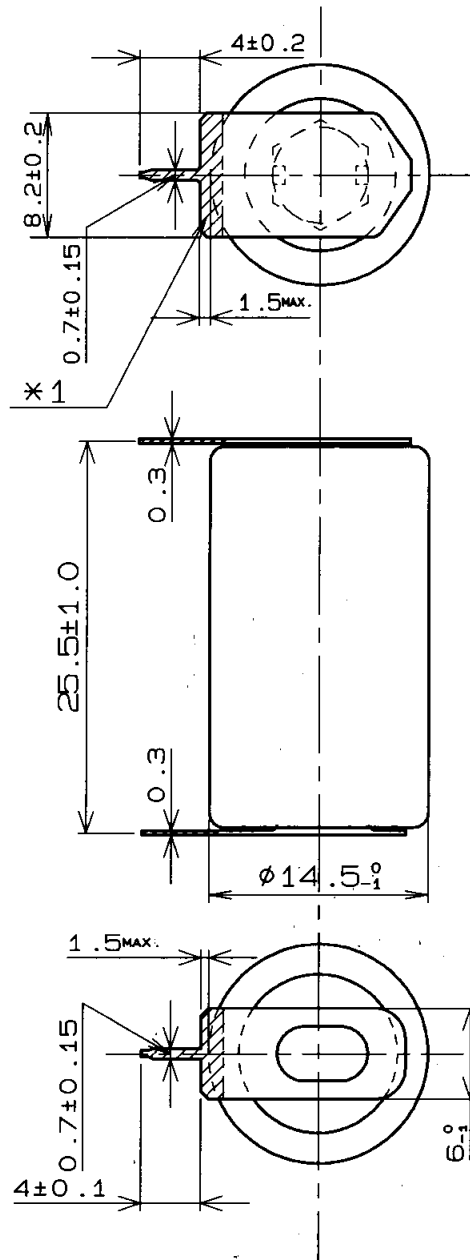
Unit: mm

UNLESS OTHERWISE SPECIFIED DIMENSIONS ARE IN TOLERANCES
ON "Lithium & Micro Battery Dimension Standard"

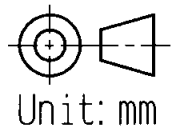
Lithium & Micro Battery Dimension Standard (for Products)	Nominal Size	Tolerance		Product No.	BR-1/2AAE2PE
	≤6	±0.2			
	6<~≤30	±0.5		Name	Product Drawing
30<~≤120	±0.8				
	Angle	±5°			
Scale	Designed	Drawn	Checked	Checked	Approved
2: 1	S.N	S.N			
	JUN.15.2004	JUL.23.2004			
				Drawing No.	041112

Symbol	Date	Revision	Signed	Checked
△				

Draft



Note: *1 Material of tabs:
Stainless steel+Nickel plating+partial Tin plating.

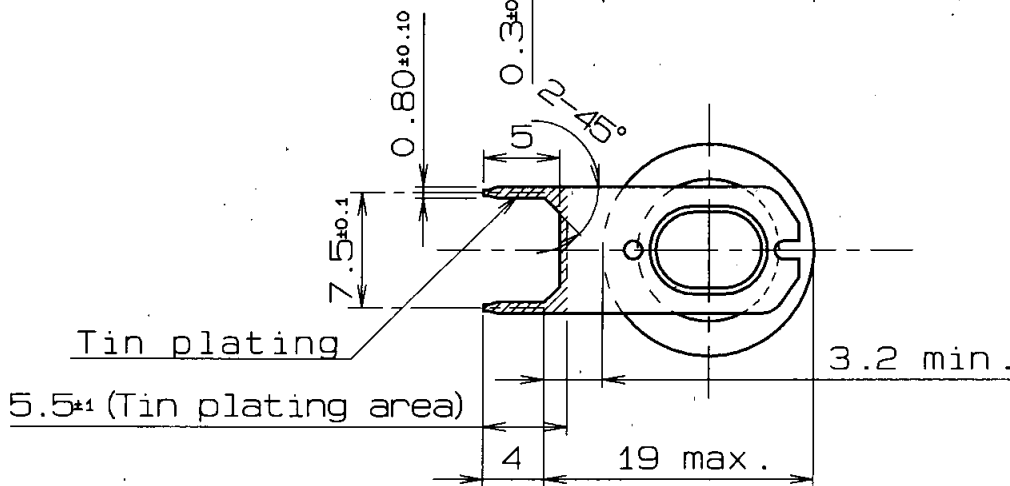
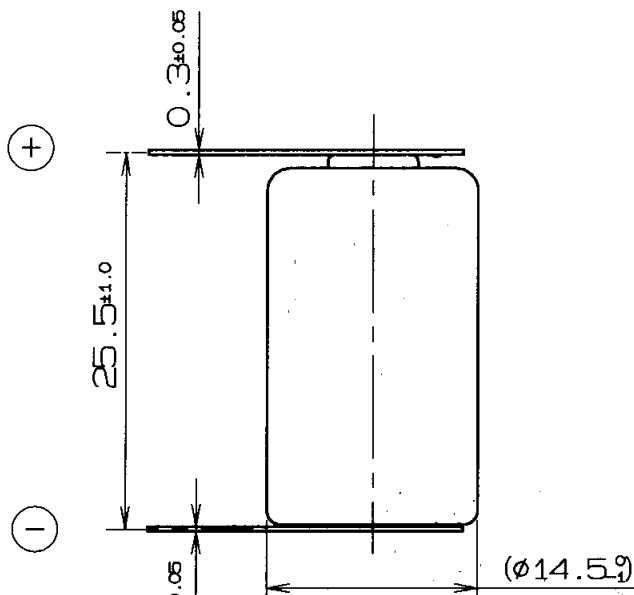
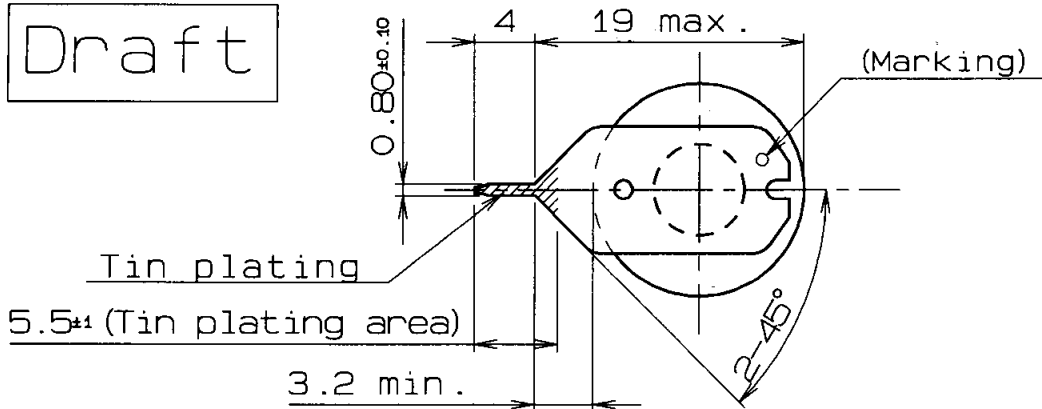


UNLESS OTHERWISE SPECIFIED DIMENSIONS ARE IN TOLERANCES
ON "Lithium & Micro Battery Dimension Standard"

Lithium & Micro Battery Dimension Standard (for Products)	Nominal Size	Tolerance		Product No.	BR-1/2AAE5PE
	≤6	±0.2			
	6<~≤30	±0.5		Name	Product Drawing
	30<~≤120	±0.8			
Angle	±5°		Drawing No.	PC-B12AA0214E	
Scale	Designed	Drawn			Checked
2: 1	S.N	S.N			
	JUN. 15. 2004	JUL. 23. 2004			

Symbol	Date	Revision	Signed	Checked
△				

Draft



UNLESS OTHERWISE SPECIFIED DIMENSIONS ARE IN TOLERANCES ON "Lithium & Micro Battery Dimension Standard"

Unit: mm

Lithium & Micro Battery Dimension Standard (for Products)	Nominal Size	Tolerance	Product No.	BR-1/2AAE6PE	
	≤6	±0.2			
	6<~≤30	±0.5			
	30<~≤120	±0.8	Name	Product Drawing	
	Angle	±5°			
Scale	Designed	Drawn	Checked	Checked	Approved
2: 1	T.Mitamura Jul-28-'04	T.Mitamura Mar-27-'05			
				Drawing No.	PC-B12AA0229